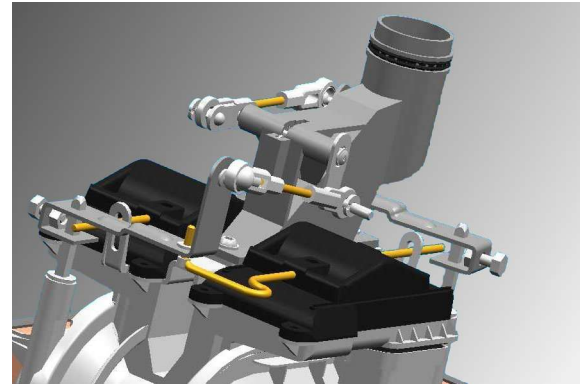


Residential Gas Meter G4

Exact measurement and security



Overview

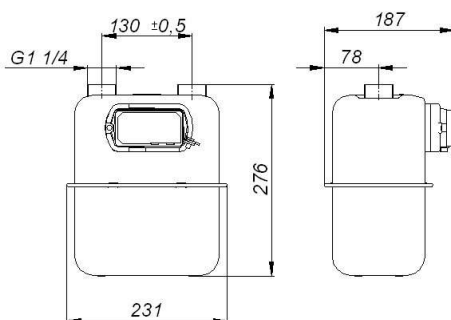
The gas meter 6G4L with the distance between the bosses of 130mm is designed for measurement of gas supplied to apartments where maximum consumption of gas is equivalent to 6m³/h of air of density of 1,2 kg/m³.

The gas meters can be used for measurement of:

- Natural gas
- City gas
- Propane-butane gas

Gas meter is equipped with pulse magnet as standard. Pulse transmitter can be added at any time (1 imp = 0,01 m³).

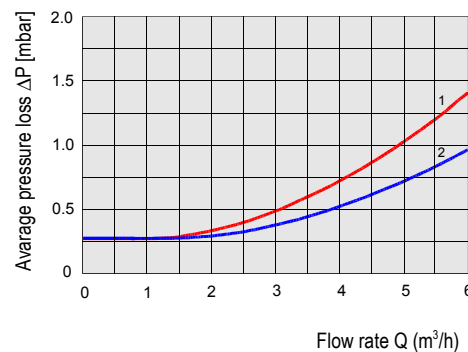
Dimensions



Technical Data

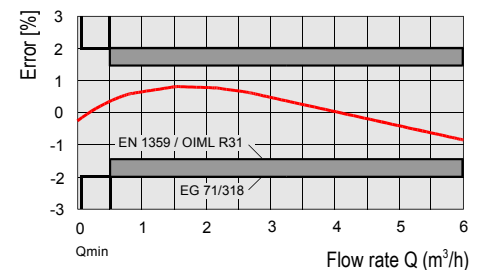
| | |
|---|---|
| Maximum flow rate: | Q _{max} = 6 m ³ /h |
| Minimum flow rate: | Q _{min} = 0,04 m ³ /h |
| Nominal flow rate: | Q _n = 4 m ³ /h |
| Cyclic volume: | V = 2,2 dm ³ |
| Max. working pressure: | P _{max} = 0,5 bar |
| Index max indication | 99999,999 m ³ |
| Starting flow rate: | 5 dm ³ /h |
| Weight: | 3 kg |
| Fireproof up to 650°C according to EN1359 | up to 0,1 bar |

Pressure loss curves



- 1 – air
2 – natural gas

Typical error curves



METRIX SA • Piaskowa 3 • 83-110 Tczew, Poland
tel. +48-58-53 09 318 • fax. +48-58-53 09 204
<http://www.metrix.pl> • e-mail: export@metrix.pl

metrix